

SPARE PARTS CATALOGUE
零件手册

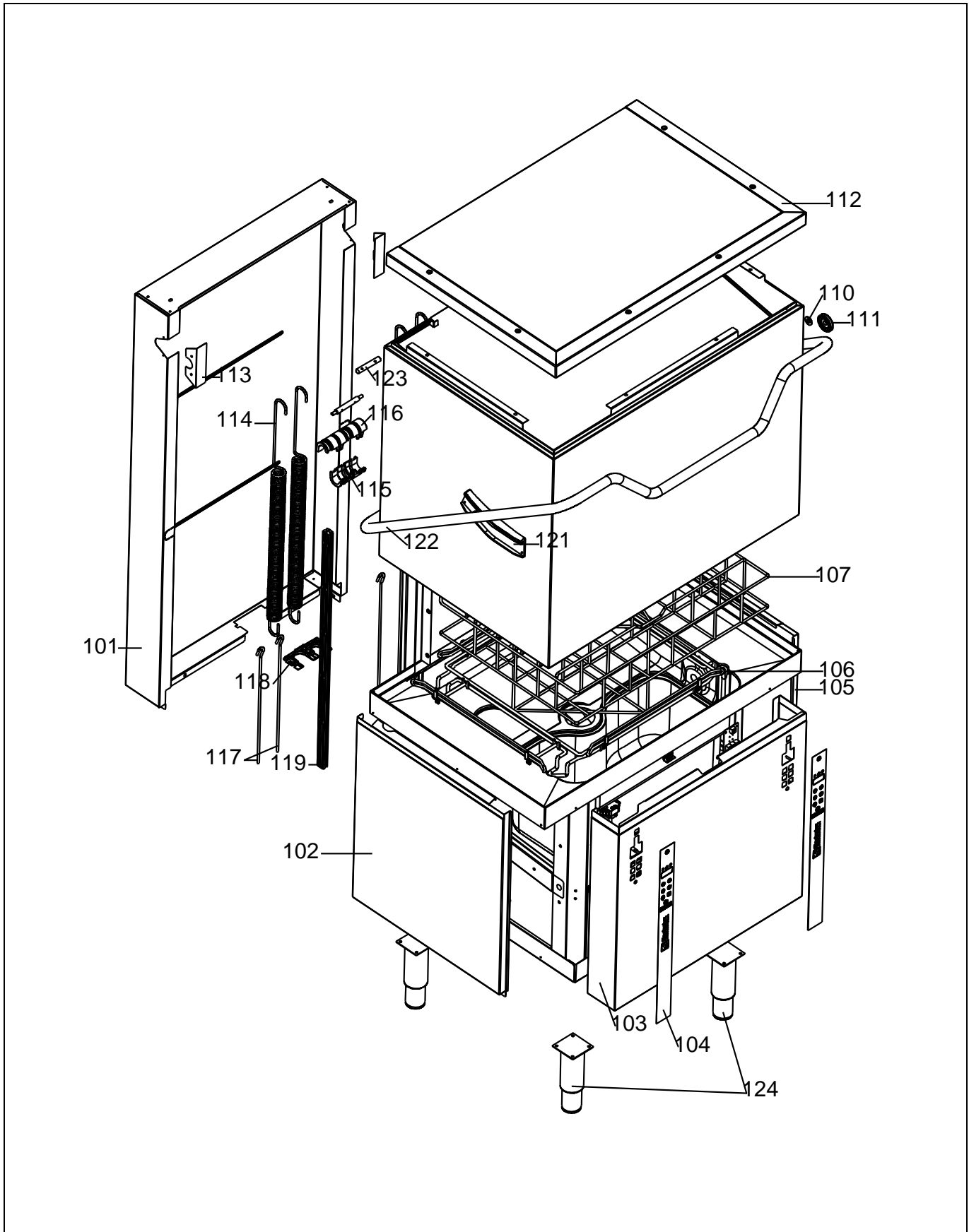
HOOD TYPE DISHWASHER
揭盖式器皿清洗机

Code	Model	Ref	Page	Description	Note
520517	EHT60XL	a		HOOD TYPE XL DISHWASHER, 60R/H,KFC	

Index	目录	Page
Main View	主视图	3-4
Hydraulic Components	管路零件	5-7
Hydraulic Circuit	水管回路	8-9
Electrical Element Assembly	电气元件组件	10-11

UPDATE RECORD

V0.1	FIRST RELEASE	
V0.2	UPDATE NEW HOOD, INSERT NEW ANC	P3 & 4
	UPDATE SPARE PARTS CODE	P6 & 9 & 11



Main View

主视图

From Ser. Nr...
Up to Ser. Nr...

@
Page:3

Ed. 1.0 08.2020

Doc No: PM00734

HOOD TYPE DISHWASHER
揭盖式器皿清洗机

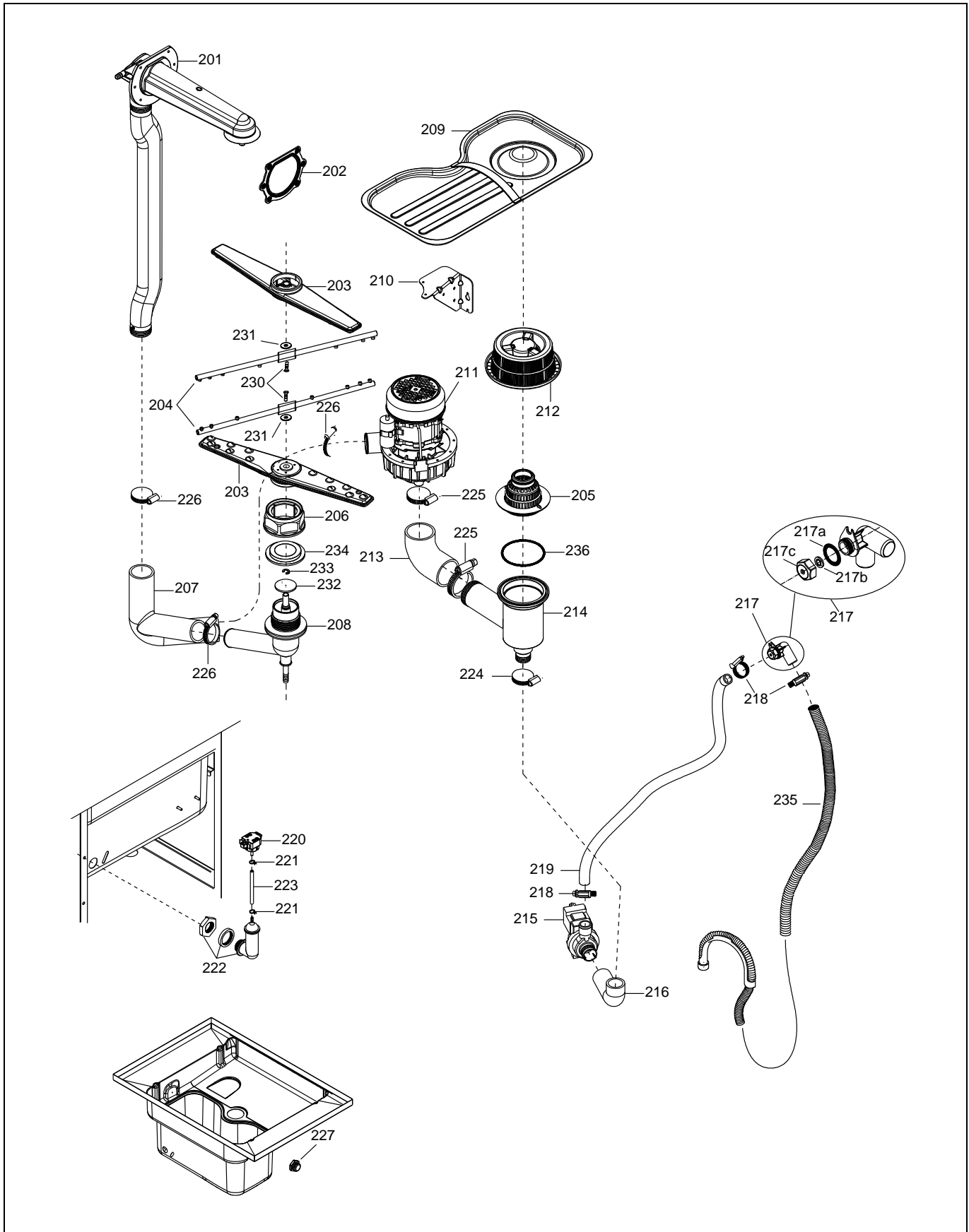
Pos.	Spare part Code	ANC	Chinese description	Description	Ref./Notes	V	W & T	S
101		502101F00	后面板	BACK PANEL				
102		502101D00	左面板	LEFT SIDE PANEL				
103		850100K00	XL 前面板组装	XL FRONT PANEL ASSEMBLY				
104		PM00726	贴膜_NHT_KFC	ELUX USER INTERFACE MEMBRANE				
105		502101C00	右侧面板	RIGHT SIDE PANEL				
106		CO01326	XL 篮筐支撑	BASKET SUPPORT HT XL				
107		514100900	XL 托盘筐	XL HT TRAY BASKET				
108		545400300	XL上罩手柄支撑	XL HOOD HANDLE SUPPORT				
109		545400200	XL上罩手柄	XL HOOD HANDLE				
110		CS00067	平垫圈 A 级_M12	WASHER PLAIN M12				
111	049598	544627400	上罩手柄滚轮	HOOD HANDLE WHEEL				
112		805100200	XL 上罩盖组件	XL HT HOOD COVER ASSEMBLY				
113		502101A00	背面板侧盖	BACK PANEL SIDE COVER				
114		514680900	XL 上罩弹簧	Hood Spring				
115	0L2794	549646800	上罩手柄衬套	HOOD HANDLE BUSH				
116	0L2793	549646B00	上罩弹簧衬套	HOOD SPRING BUSH				
117	0L2797	5146A4W00	上罩弹簧延伸器	HOOD SPRING STRETCHER				
118	0L0112	543628700	软管保护	HOSES PROTECTION				
119	0L2798	547604701	上罩塑料导轨	PLASTIC HOOD GUIDE				
120		502102D00	XL上罩法兰盖板	HOOD COVER FLANGE				
121	049597	544627300	上罩手柄导轨	HOOD HANDLE GUIDE				
122		CO01318	大上罩手柄组件	LARGE HOOD HANDLE ASSEMBLY				
123		514100A00	XL 上罩销	PIN XL HOOD STOPPER				
124	0L3203	855652300	支撑脚组件	FEET ASSEMBLY				
125		502104800	机器固定支架	MACHINE FIXING BRACKET				
126		CS00440	喉箍 50-70	HOSE CLAMP SW1 50-70/9 IVP				

Main View
主视图

V = Vital spare part/核心备件
W&T = Wear and Tear/易损件

S = Suggested/建议更换备件
Bold=last change / 粗体=最后更改

From Ser. Nr... Up to Ser. Nr...	Page:4	Ed. 1.0 08.2020	Doc No: PM00734
-------------------------------------	--------	-----------------	------------------------



Hydraulic Components

管路零件

From Ser. Nr...
Up to Ser. Nr...

@
Page:5

Ed. 1.0 08.2020

Doc No: PM0734

HOOD TYPE DISHWASHER
揭盖式器皿清洗机

Pos.	Spare part Code	ANC	Chinese description	Description	Ref./Notes	V	W & T	S
201	0L3470	855652K00	上清洗臂支撑组件	UPPER WASHING ARM SUPPORT ASSEMBLY				
202	0L2822	543634B01	上清洗臂垫	UPPER WASHING ARM GASKET			X	
203	0L2823	850664H00	斜清洗臂组件	SLANTED WASHING ARM ASSEMBLY				
204	0L2095	855651C00	漂洗臂组件	RINSE ARM ASSEMBLY				
205	0L3586	544687H01	塑料水箱过滤器	LOWER PLASTIC TANK FILTER				
206	048237	549615101	下清洗臂支撑环形螺母	LOWER WASHING ARM SUPPORT RING NUT				
207	0L2825	544686L01	出口洗涤泵套筒	OUTLET WASH PUMP SLEEVE				
208	048235	549615004	下清洗臂支撑	LOWER WASHING ARM SUPPORT				
209		830100100	水箱过滤器(new)	TANK FILTER				
210	0L3523	5046ABW00	主洗泵支撑	WASH PUMP SUPPORT				
211	0L2831	611636S00	清洗泵 LGB ZF522VSX -90° 230V / 1N / 50HZ 0.8KW	WASH PUMP LGB ZF522VSX - 90° 230V/1N/50HZ 0.8KW		X		
212	0L2835	544687K00	排水泵塑料泵吸滤器	PLASTIC PUMP SUCTION FILTER FOR DRAIN PUMP				
213	0L2836	544686M00	清洗泵软管	WASH PUMP SUCTION HOSE				
214	0L2837	544686J01	吸水泵收集器	SUCTION WASH PUMP COLLECTOR				
215	0L2838	611637D00	排水泵 HANNING TIPO DPO25 - 90° 200/240V 50/60HZ	DRAN PUMP. HANNING TIPO DPO25 -90° 200/240V 50/60HZ				
216	0L2839	544686N00	排水泵套	DRAIN PUMP SLEEVE				
217	0L2729	855651J00	空气疏水阀组件	DRAIN AIR VENT VALVE ASSEMBLY				
217a	0L4469	543634300	垫片	GASKET AIR VENT CUP			X	
217b	0L4468	543634400	垫片	GASKET; DIA.13,7X6,4X1,5SP			X	
217c	0L4467	544686Y00	阀塞	PLUG FOR VALVE				
218		CS00443	喉箍	HOSE CLAMP SW1 25-40/9 IVP (EX-FASC.26-38)				
219	0L2842	549646T00	排水管 (从排水泵至空气疏水阀 组件)	DRAIN PIPE (FROM DRAIN PUMP TO DRAIN AIR VENT VALVE ASSEMBLY)				
220	0L2845	673611M00	模拟传感器 ELBI TYPE PS7640	ANALOG SENSOR ELBI TYPE PS7640		X		
221	0L0082	518613000	弹性喉箍 7,3-7,8MM	ELASTIC HOSE CLAMP 7,3- 7,8MM				
222	0L2846	855651G01	水箱空气疏水阀组件	TANK AIR TRAP ASSEMBLY				
223	072393	W00537200	EPDM 软管 D=4X7,4 (TYPE TT/80 T80) 877525102	EPDM HOSE D=4X7,4 (TYPE TT/80 T80) 877525102				
224	0L3470	CS00444	喉箍	HOSE CLAMP SW1 35-50/9 IVP				

To be continued →

Hydraulic Components
管路零件

V = Vital spare part/核心备件
W&T = Wear and Tear/易损件

S = Suggested/建议更换备件
Bold=last change / 粗体=最后更改

From Ser. Nr...
Up to Ser. Nr...

Page:6

Ed. 1.0 08.2020

Doc No: PM00734

HOOD TYPE DISHWASHER
揭盖式器皿清洗机

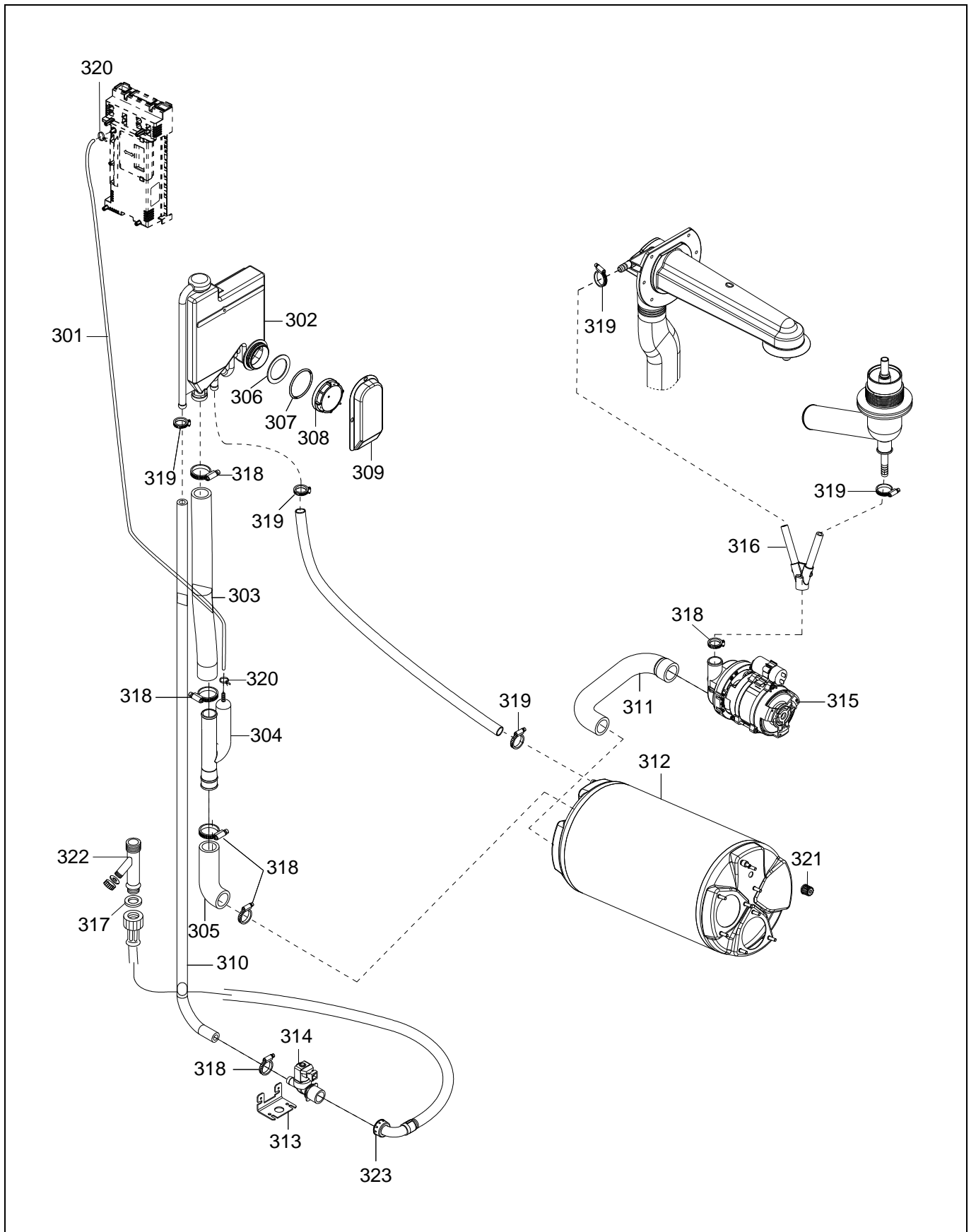
Pos.	Spare part Code	ANC	Chinese description	Description	Ref./Notes	V	W & T	S
225		CS00445	喉箍	HOSE CLAMP SW1 60-80/9 IVP				
226		CS00440	喉箍	HOSE CLAMP SW1 50-70/9 IVP				
227		CP00047	闷头	CAP				
228	0TH041	206006196	平垫圈 A级_M10	WASHER 21X10.5X2 BRASS				
229		CS00061	1型六角螺母_M10	HEXAG.NUT M10X8 UNI-5588 AISI-304				
230	048290	514666502	漂洗臂销	RINSE ARM PIN				
231	048632	518608003	漂洗臂锁紧垫圈	RINSE ARM LOCK WASHER				
232		502102200	清洗臂节流片	WASHING ARM FLOW REDUCER				
233		CS00432	轴用弹性挡圈_φ15	SNAP RING A17 X 1V UNI7435- 75 INOX				
234	048236	543620401	下清洗臂支撑垫	LOWER WASHING ARM SUPPORT GASKET			X	
235	0L2841	549646U00	排水管出口	DRAIN PIPE OUTLET				
236	049894	543627500	O型圈 NBR 110X4 COD.ORM 1100-40	O-ring NBR 110X4 COD.ORM 1100-40			X	

Hydraulic Components
管路零件

V = Vital spare part/核心备件
W&T = Wear and Tear/易损件

S = Suggested/建议更换备件
Bold=last change / 粗体=最后更改

From Ser. Nr... Up to Ser. Nr...	Page:7	Ed. 1.0 08.2020	Doc No: PM00734
-------------------------------------	--------	-----------------	------------------------



Hydraulic Circuit
水管回路

HOOD TYPE DISHWASHER
揭盖式器皿清洗机

Pos.	Spare part Code	ANC	Chinese description	Description	Ref./Notes	V	W & T	S
301	0L3415	544638800	EPDM 软管 D = 4X7,4 L = 2000MM	EPDM HOSE D=4X7,4 L=2000MM				
302	0L2666	549647100	气室	AIR GAP				
303	0L4453	140066043	软管;L = 1000mm ;DIA.25.5X32MM	HOSE; L=1000MM; DIA.25.5X32MM	0.42m			
304	0L2849	544630900	空气疏水	AIR TRAP				
305	049880	544631300	套管	SLEEVE				
306	049828	544631601	硅胶垫 D.EXT 59.5-D.INT 50	GASKET D.EXT 59.5-D.INT 50				
307	049460	543620900	O 型圈 3212- 2,62X53,65	O-RING 3212- 2,62X53,65			X	
308	049480	544626200	空气疏水 阀环型螺母	AIR TRAP RING NUT				
309	0L3756	54468AH00	气隙盖	AIR GAP COVER				
310	048531	140066039	橡胶管 ØI=12MM;ØE=19,5MM;BY METER	RUBBER HOSE; ØI=12MM;ØE=19,5MM;BY METER	1.38m			
311	0L2852	544686Z00	漂洗泵吸管	RINSE PUMP SUCTION HOSE				
312		850100B00	加热包组件	BOILER ASSEMBLY				
313		502101B00	电磁阀支撑	SOLENOID VALVE SUPPORT				
314	0L3450	696618V00	电磁阀(ELBI TYPE 3.329.0378 A 5L / MIN 220 / 240V 50 / 60HZ)	SOLENOID VALVE (ELBI TYPE 3.329.0378 A 5L/MIN 220/240V 50/60HZ)		X		
315	0L1640	611631300	漂洗泵(FIR 5213EB2451-220 / 240V 50 HZ)	RINSE PUMP (FIR 5213EB2451-220/240V 50 HZ)				
316	0L4597	83065VS00	漂洗 “ Y ” 型分配器软管组件	RINSE "Y" DISTRIBUTOR HOSE ASSEMBLY				
317	049201	543624401	过滤网 3/4 G 垫片	WATER FILTER 3/4 G GASKET				
318		CS00443	喉箍	HOSE CLAMP SW1 25-40/9 IVP (EX-FASC.26-38)				
319		CS00441	喉箍	HOSE CLAMP SW1 12-22/9 IVP				
320	0L0082	518613000	弹性喉箍 7,3-7,8MM	ELASTIC HOSE CLAMP 7,3-7,8MM				
321	0L2071	5146A2N00	催干剂管环形螺母	RING NUT RINSE-AID TUBE				
322	048834	830623701	过滤器 3/4 G	WATER FILTER 3/4 G				
323	0L1887	830654R00	进水管组件	Water inlet assembly				

Hydraulic Circuit
水管回路

V = Vital spare part/核心备件
W&T = Wear and Tear/易损件

S = Suggested/建议更换备件
Bold=last change / 粗体=最后更改

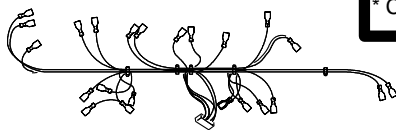
From Ser. Nr...
Up to Ser. Nr...

Page:9

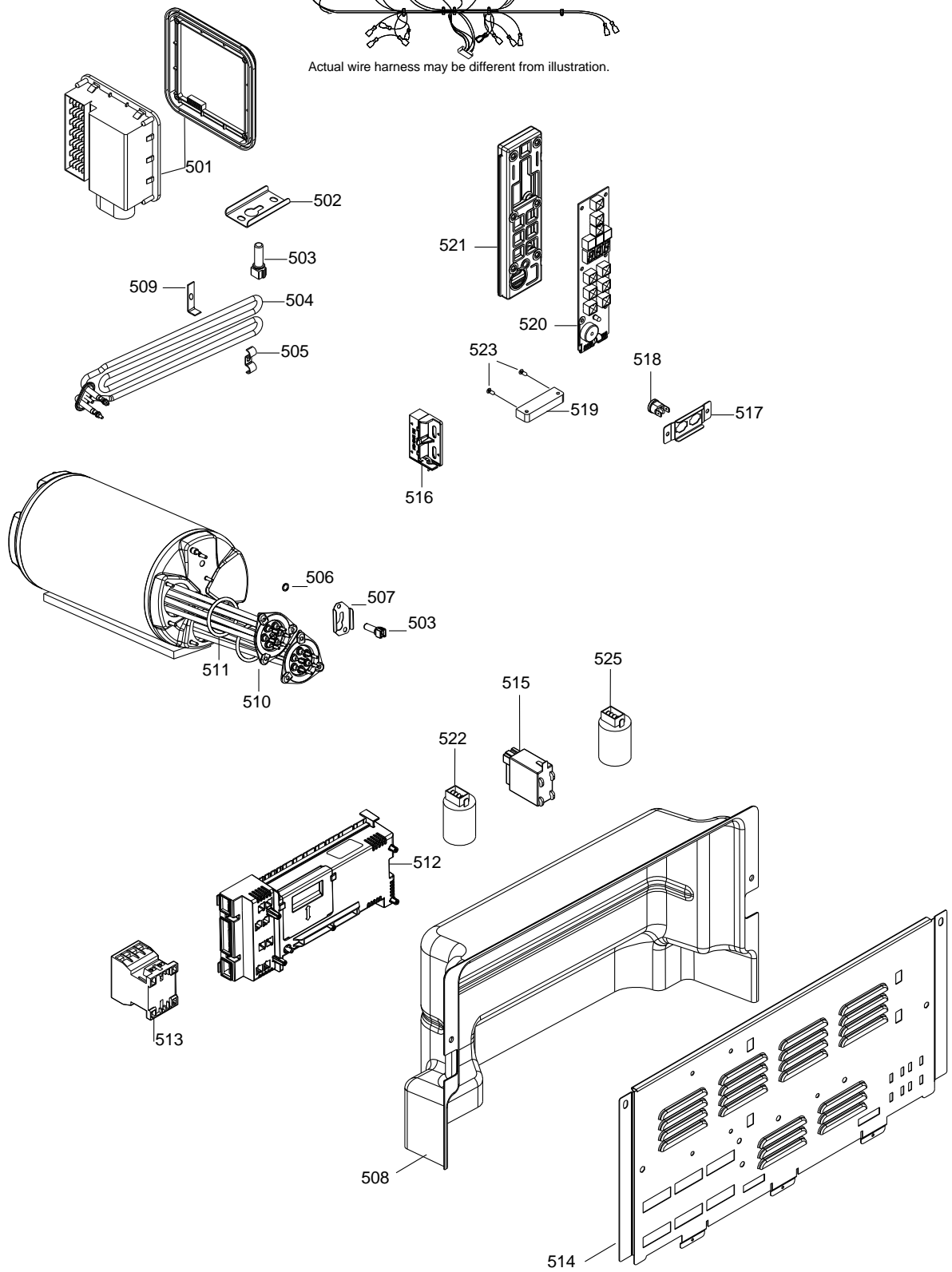
Ed. 1.0 08.2020

Doc No: PM00734

* Cablaggio/Wiring harness: 524



Actual wire harness may be different from illustration.



Electrical Element Assembly

电器元件组件

From Ser. Nr...
Up to Ser. Nr...

@
Page:10

Ed. 1.0 08.2020

Doc No: PM00734

HOOD TYPE DISHWASHER
揭盖式器皿清洗机

Pos.	Spare part Code	ANC	Chinese description	Description	Ref./Notes	V	W & T	S
501	0L0111	639626100	接线盒组件	TERMINAL LOCK BOX ASSEMBLY				
502		502101400	温度探头传感器支架	TEMPERATURE PROBE SENSOR BRACKET				
503	0L2874	653600600	NTC 温度探头传感器 R 2,5	NTC TEMPERATURE PROBE SENSOR R 2,5		X		
504	0L1974	617631702	水箱加热管 3000W 230V	TANK HEATING ELEMENT 3000W 230V				
505	048429	506675402	水箱加热支架	TANK HEATING ELEMENT BRACKET				
506	0L2303	543633Z00	O 型圈 2037 9,25 X 1,78 硅	O-RING 2037 9,25 X 1,78 SILICON			X	
507		502101600	温度探头传感器支架	TEMPERATURE PROBE SENSOR BRACKET				
508	0L4598	549649A00	电气元件盖	ELECTRICAL COMPONENTS COVER				
509		502101K00	水箱加热元件垫	TANK HEATING ELEMENT SPACER				
510	0L2884	617634000	加热包加热管 500W 230V	BOILER HEATING ELEMENT 4500W 230V				
511	0L2304	543633Y00	O 型圈 56.52X5.33 硅	O-RING 56.52X5.33 SILICON			X	
512	0L3600	673612L01	电子主板组件	ELECTRONIC MAIN BOARD ASSEMBLY FULL RELE' HIGH TEMP				
513	006879	648807400	接触器 K3-18ND10 220-240V 50HZ 240V 60HZ	CONTACTOR K3-18ND10 220-240V 50HZ 240V 60HZ		X		
514	0L3596	549647W00	主板支撑	MAIN BOARD SUPPORT				
515	048888	648611100	继电器 0419 12 R 5 EAS \ AS-230A-H	RELAY 0419 12 R 5 TYPE EASIAS-230A-H				
516	0L2893	805665A00	干簧片传感器 R 2,5	STEM REED SENSOR R 2,5				
517		502101500	超温保护支架	SAFETY THERMOSTAT BRACKET				
518	0L2895	646619601	超温保护器 KLIXSON 105° C 3TE1NT08L_3612	SAFETY THERMOSTAT KLIXSON 105° C 3TE1NT08L_3612		X		
519	049627	699603701	磁铁 STEM-M350FPGBOM00	MAGNET STEM-M350FPGBOM00				
520	0TTMAL	673612A02	用户界面	USER INTERFACE		X		
521	0L2898	541617G01	用户界面盖	USER INTERFACE COVER				
522	049303	694605400	三相 R.F.I. 滤波器 411.13.5901D PROCOND	TREE PHASE R.F.I. FILTER 411.13.5901D PROCOND				
523	0TH065	217801095	十字槽沉头自攻螺钉_ST2.9×9.5	FLAT SELF TAPPING SCREW 2.9X9.5 AISI 304				
524	0L3147	63868AN02	布线组件	WIRING ASSEMBLY				
525	049303	694605400	单相 R.F.I. 滤波器	SINGLE PHASE R.F.I. FILTER				

Electrical Element Assembly
电器元件组件

V = Vital spare part/核心备件
W&T = Wear and Tear/易损件

S = Suggested/建议更换备件
Bold=last change / 粗体=最后更改

From Ser. Nr...
Up to Ser. Nr...

Page:11

Ed. 1.0 08.2020

Doc No: PM00734



Electrolux Professional
Electrolux (Shanghai) Professional Appliance Co., Ltd.
2688, West Huancheng Road,
Fengxian District, Shanghai, China
<https://professional.electrolux.com>